



## Technical Data Sheet

### *Core Balance Current Transformer*



### Special Features

- Conformity to Standard IEC 61869-1
- Compact design, Reliable and accurate.
- Designed to detect earth leakage current and transmit proportional signal to an Earth Leakage Relay
- UL approved CBCT.
- Common wall mounting clamp for all sizes.
- Sealable cap for secondary terminal connections.  
(Maximum sealing wire diameter should be 1.8mm)

## Specification

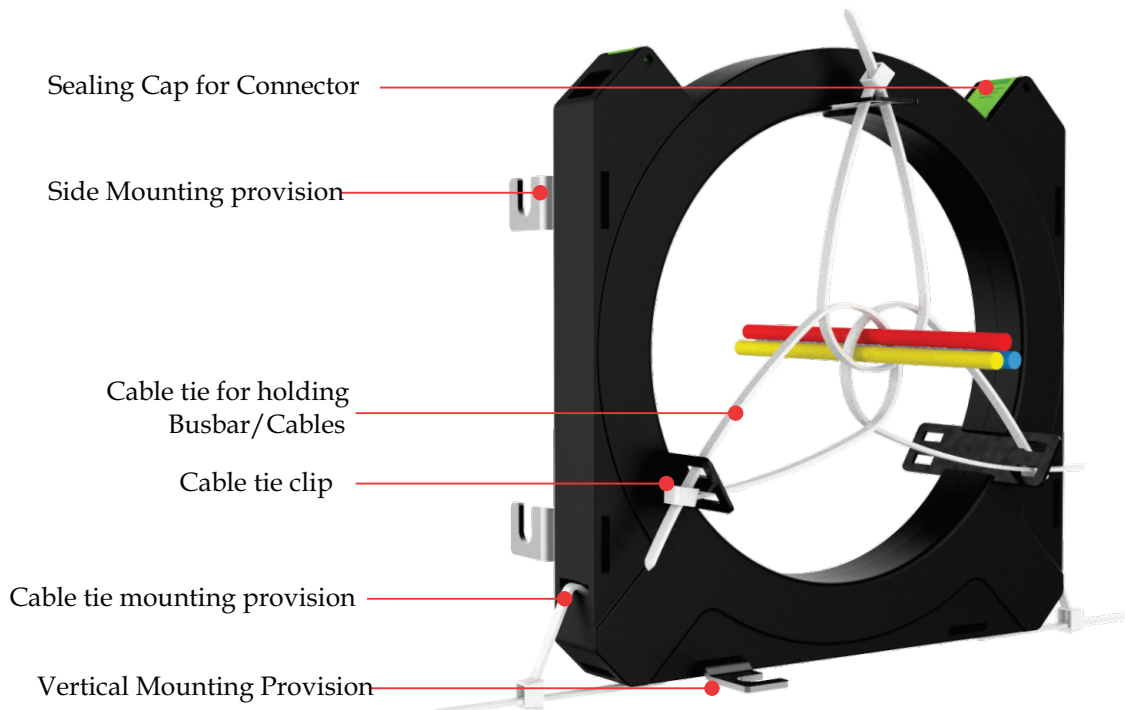
<b>Insulation Coordination</b>	According to IEC 60664 - 1
<b>Case</b>	Nylon 6, 20% GF, FR (30) Black
<b>Insulation Class</b>	E (120°C max)
<b>Connection</b> a) Value b) Wire Range	Screw Type Terminal Connection M2.5, 0.4Nm 0.5 ~ 2.5mm <sup>2</sup> (suitable for pin type lug)
<b>CT Ratio</b>	600:1
<b>Maximum Operating Voltage (Um)</b>	0.72 kV Maximum
<b>Test Voltage</b>	3kV, 50 Hz for 1 minute
<b>Operating Frequency</b>	50/60 Hz
<b>Operating Current Range</b>	30 mA - 30 A
<b>Rated Continuous Thermal Current (Icth)</b>	100 A
<b>Thermal Short Circuit Current (Ith)</b>	60 × Ipr
<b>Dynamic Short Circuit Current (Idyn)</b>	2.5 × Ith
<b>Ambient Temperature</b>	-25°C to 55°C
<b>Storage temperature</b>	-50°C to 80°C
<b>Distance between ELR &amp; CBCT</b>	< 1 meter
<b>Accuracy Class</b>	3 & 15
<b>Secondary Terminal</b>	Protected to Ip20

**\*\*CBCT with spring loaded connector available on request (without UL marking)**

### Product Sizes and Weights :

Name	Size	Weight
CBCT 38	38-71 (20)	0.12 Kg
CBCT 57	57-97 (20)	0.15 Kg
CBCT 70	70-109 (20)	0.18 Kg
CBCT 120	120-153 (20)	0.29 Kg
CBCT 210	210-250 (20)	0.51 Kg

**Product Features :**

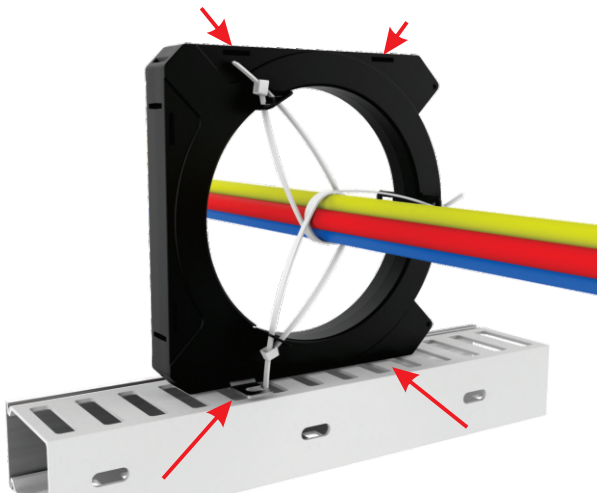


Model ↓ /Features →	Mounting clamp for vertical mounting	Mounting clamp for Horizontal mounting	Cable Tie for vertical mounting	Cable Tie for Busbar Mounting Clip	Terminal Cap
CBCT 38	✓	✗	✓	✗	✓
CBCT 57	✓	✓	✓	✗	✓
CBCT 70	✓	✓	✓	✗	✓
CBCT 120	✓	✓	✓	✓	✓
CBCT 210	✓	✓	✓	✓	✓

## Product Features :

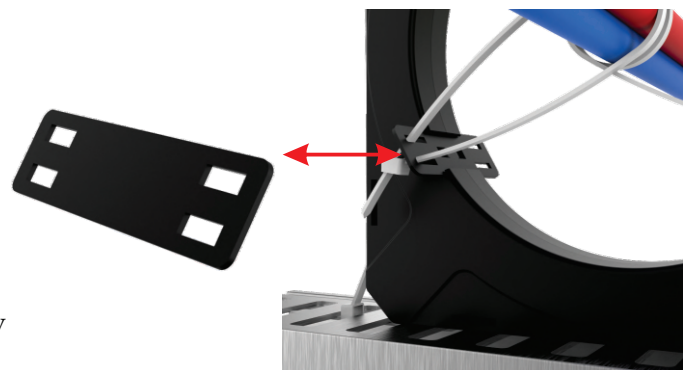
- **Cap for Connector**

Protective cap for connectors on either side of the CT ensures that the terminal is well covered from external entities. The cap also contains provision for sealing.



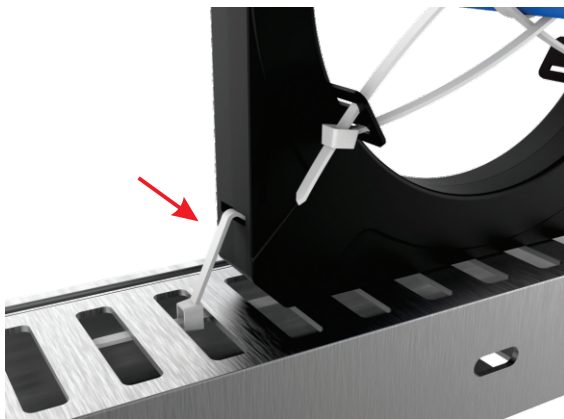
- **Side Mounting Provision**

CBCT can be mounted both horizontally as well as vertically considering the practical challenges occurred while on site installation.



- **Cable tie Clips**

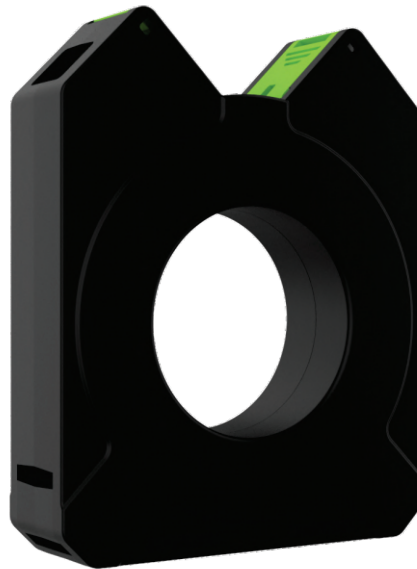
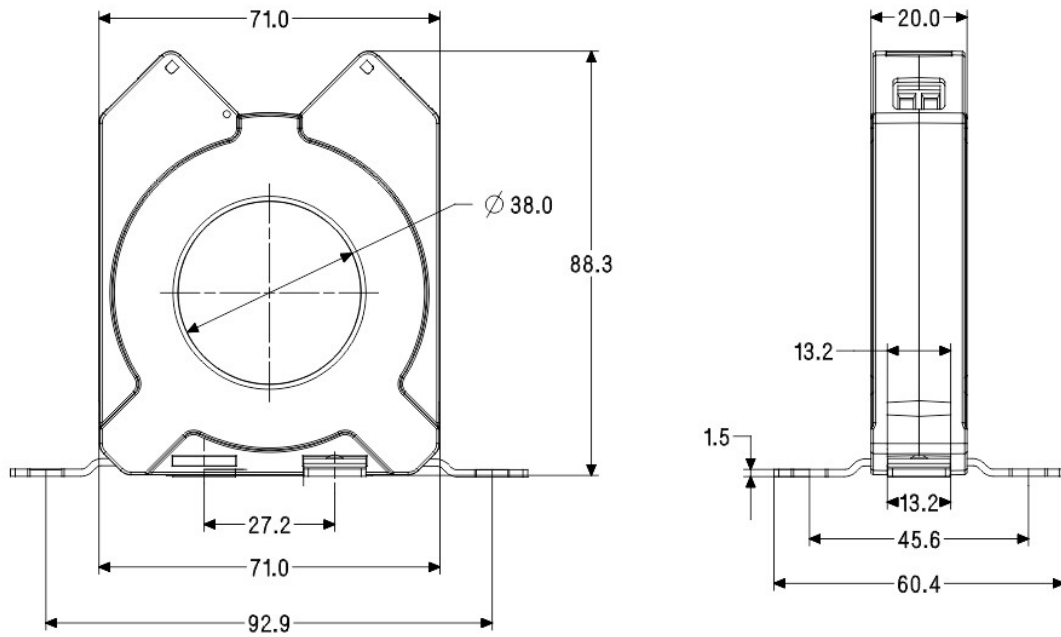
Cable tie clips are located on the CT to ensure that the busbar/cable is centrally aligned so as to get absolute output. The Cable tie clip should be ordered separately



- **Vertical Cable Tie Mounting**

Vertical mounting is basically provided in all categories of CT, although vertical mounting with the help of cable tie gives more flexibility while on site installation.

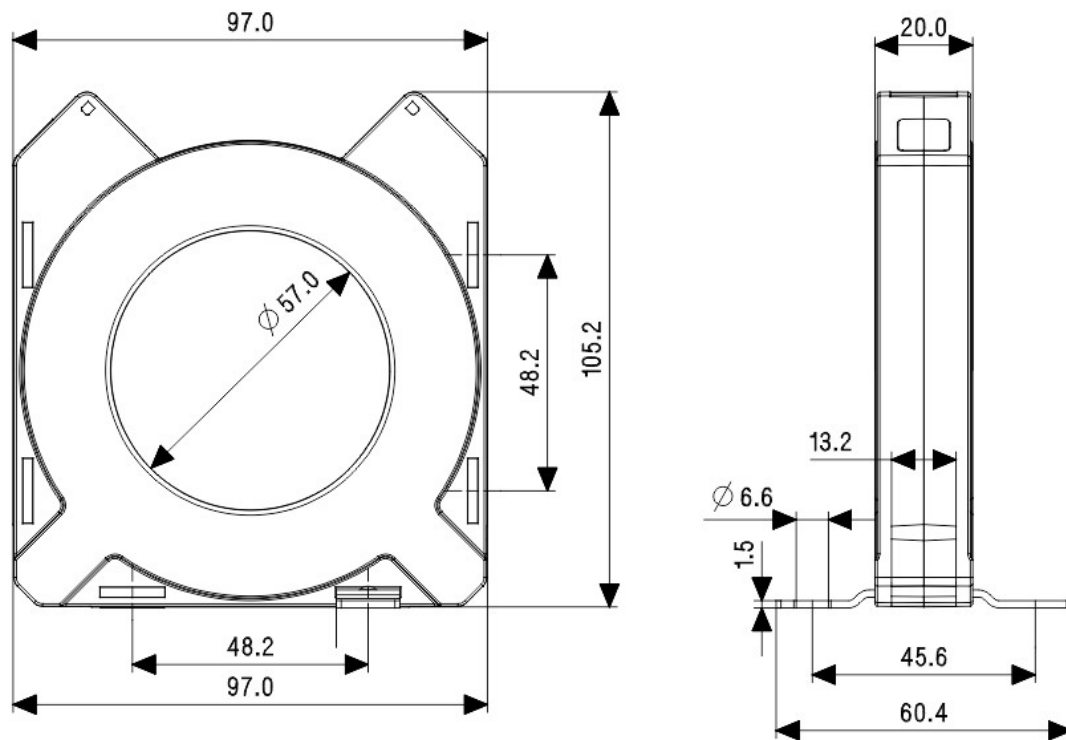
## CBCT 38



## Ordering Code

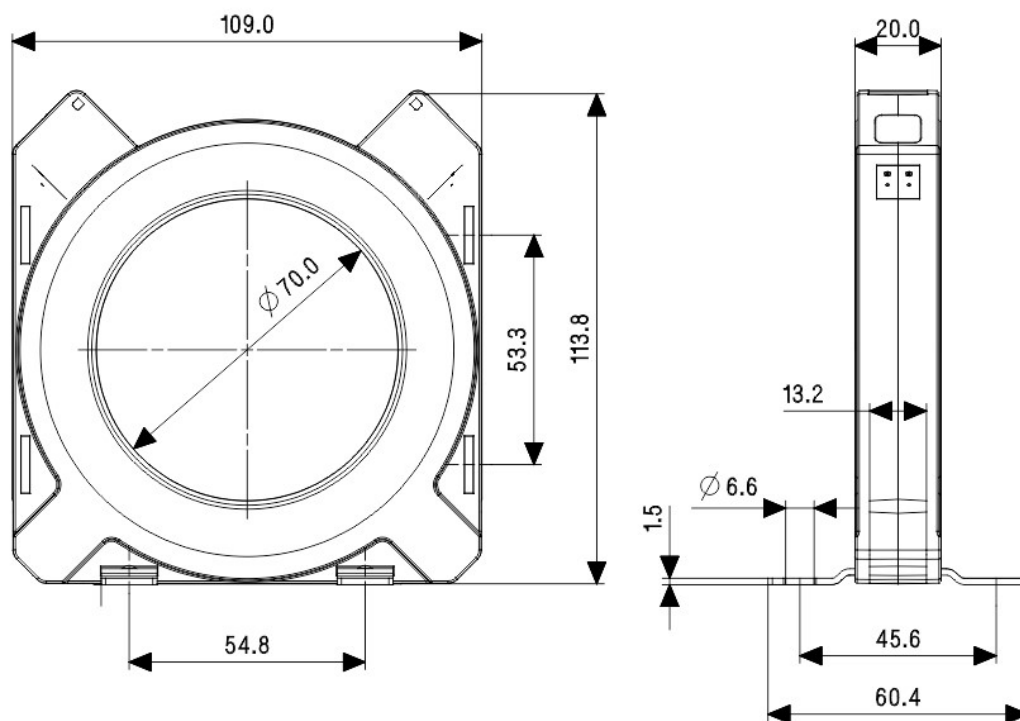
CB08-0101000000ST	S CBCT 38/71/20 30MA-30A 600:1
-------------------	--------------------------------

## CBCT 57

**Ordering Code**

CB09-0101000000ST	S CBCT 57/97/20 30MA-30A 600:1
-------------------	--------------------------------

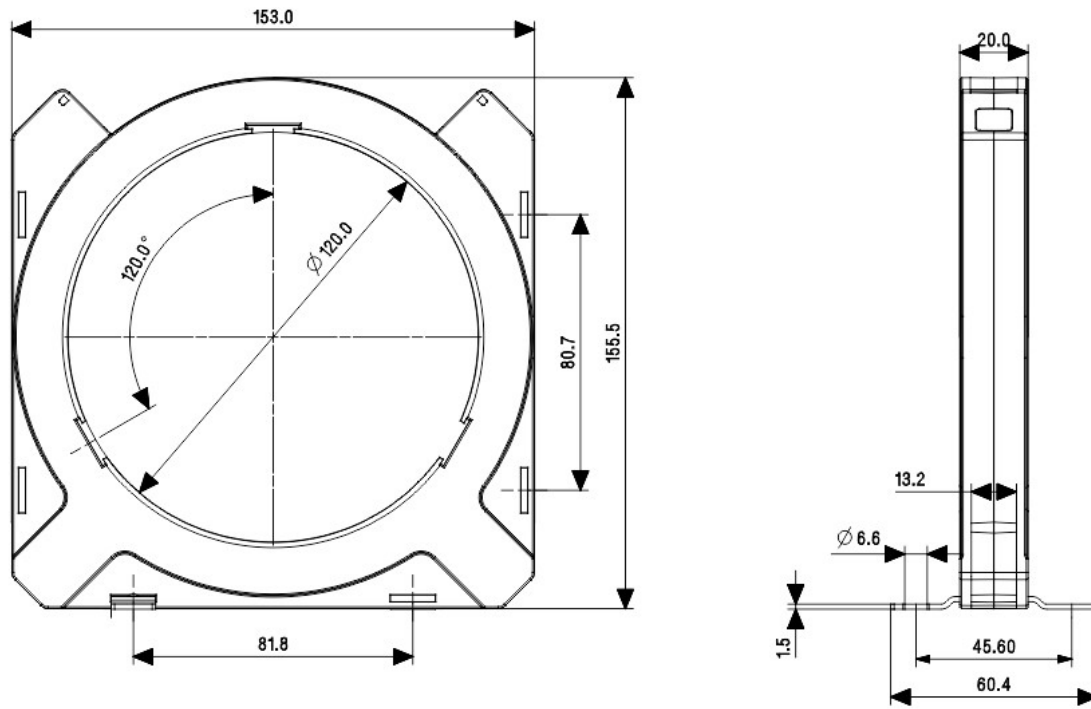
## CBCT 70



## Ordering Code

CB10-0101000000ST | S CBCT 70/109/20 30MA-30A 600:1

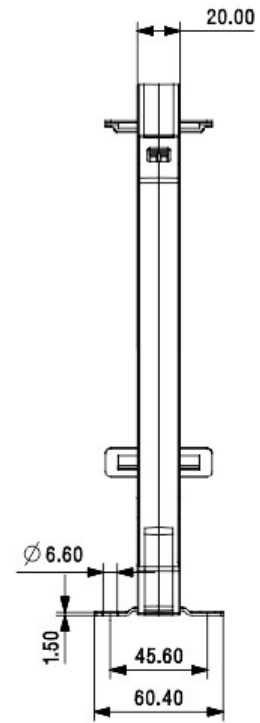
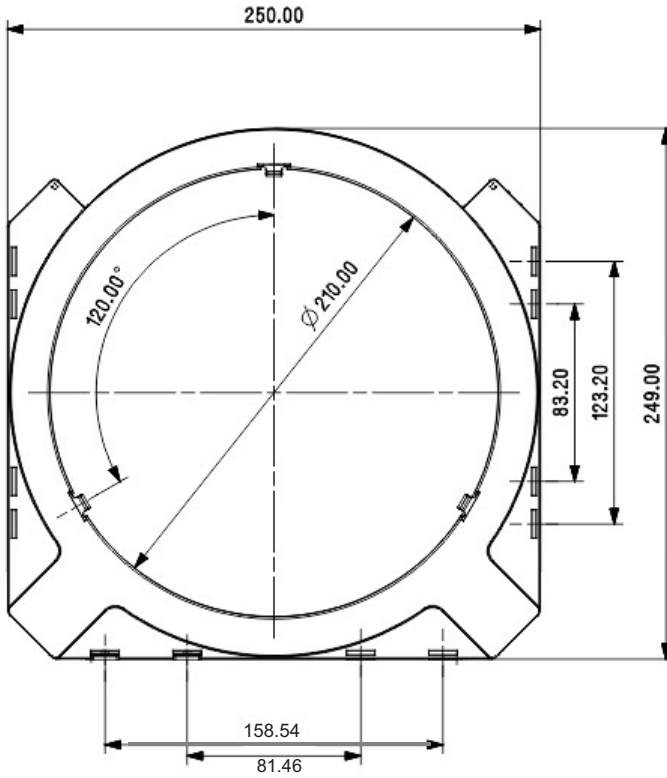
## CBCT 120



## Ordering Code

CB11-0101000000ST	S CBCT 120/153/20 30MA-30A 600:1
-------------------	----------------------------------

CBCT 210



Ordering Code

CB12-0101000000ST | S CBCT 210/250/20 30MA-30A 600:1



Sifam Tinsley Instrumentation Inc.  
2105, Barrett Park Dr. Unit 105.  
Kennesaw, GA 30144, USA  
E-mail Id : [psk@sifamtinsley.com](mailto:psk@sifamtinsley.com)  
[info@sifamtinsley.com](mailto:info@sifamtinsley.com)  
Web : [www.sifamtinsley.com](http://www.sifamtinsley.com)  
Contact No. : +1 404 736 4903